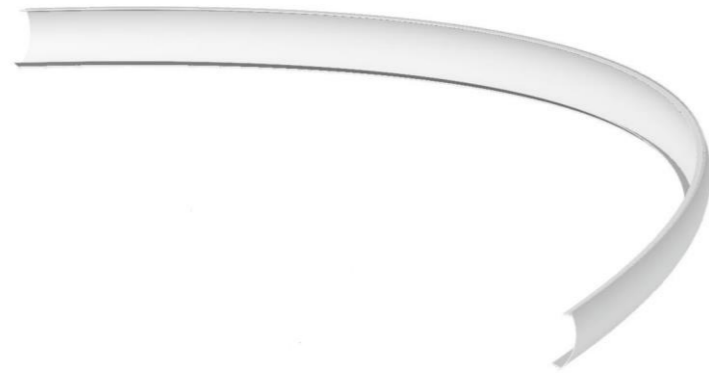


EXC-P53 PC Diffuser



Structure data

Material: Polycarbonate (PC1003R)
 Demension: W:104.3mm, H: 36.9mm
 Scratches resistance: Yes
 IK: IK10
 Safety measures against fal: Yes

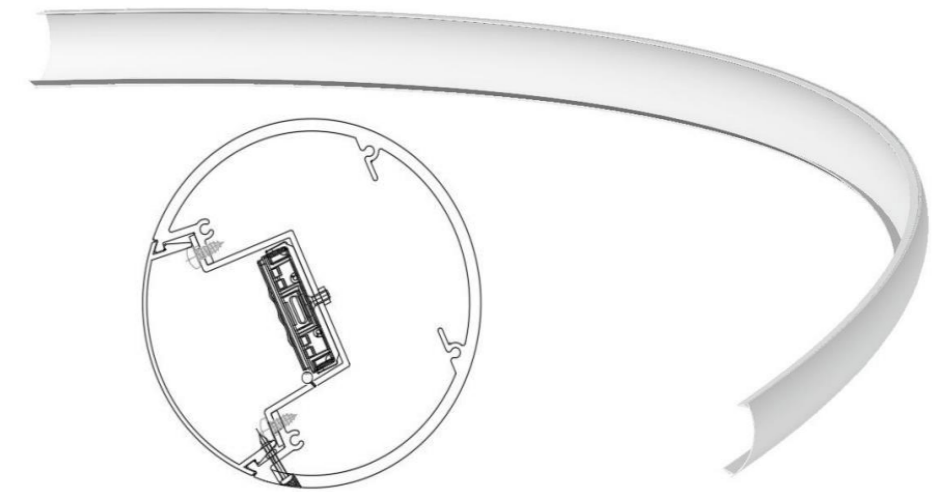
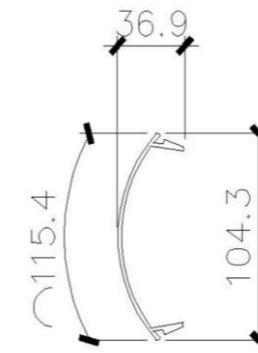
Standard

ISO19252 ISO17223 ISO4892.3:2016 IES LM-79-08
 IEC 62262:2002 IEC60598-1:2014+A1:2017
 IEC 60068-2-1-2007 IEC 60068-2-2-2007

Structure data

UV resistant:Yes
 Anti-yellowing properties:Yes
 Protection Grade:IP65
 Transmission:64.35%
 Colour:opal

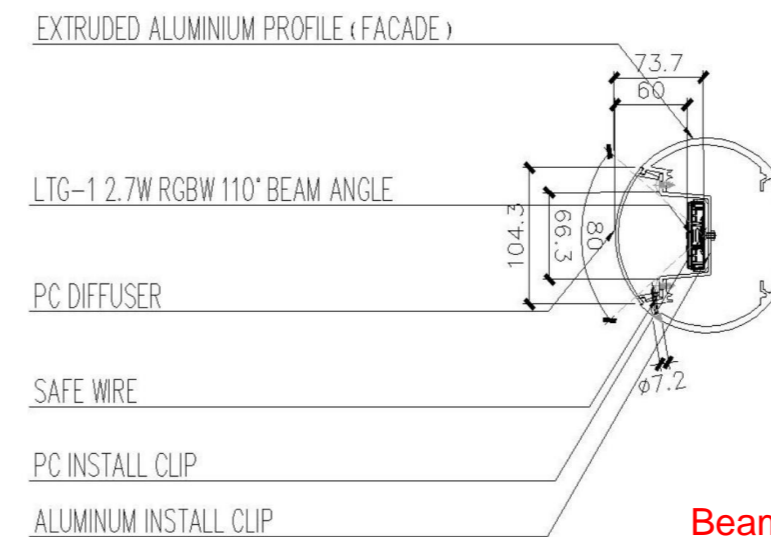
Physical Dimension (mm) :



Installation Diagram:



Installation :



Beam Angle

