

**EXC-W24B Multi-pixel LED Wall Washer**



Application Environment:  
Indoor  
Outdoor

**Description**

**EXC-W24B full color series** are high power outdoor landscape LED wall washer with high strength aluminum alloy housing by EXC-LED. Each lighting fixture is a separate lighting pixel, and each pixel can realize 256 grades gray scale changing. EXC-W24B can be used for accent lighting or flood lighting, such as building facade, bridge, stage, etc. Customized lighting fixture length available.

**Features**

- The newest generation technology: DMX512 parallel bus design
- Only 24mm width, very compact design
- High strength aluminum housing with low thermal resistance path design
- Full-sealed filling waterproof design by German imported glue
- Outdoor lighting protection and electrostatic discharge (ESD) protection design
- Projection distance: 1 -2m

**Basic Specifications**

Color Range	RGB full color
Light Source	48PCS SMD 3535 LED
Source Life	50,000h
Material	High Strength Aluminum housing/Tempered glass lens
Weight	0.52kg

**Environmental Specifications**

Working Temperature	-20°C to 50°C
Storage Temperature	-40°C to 70°C
Protection Rating	IP66

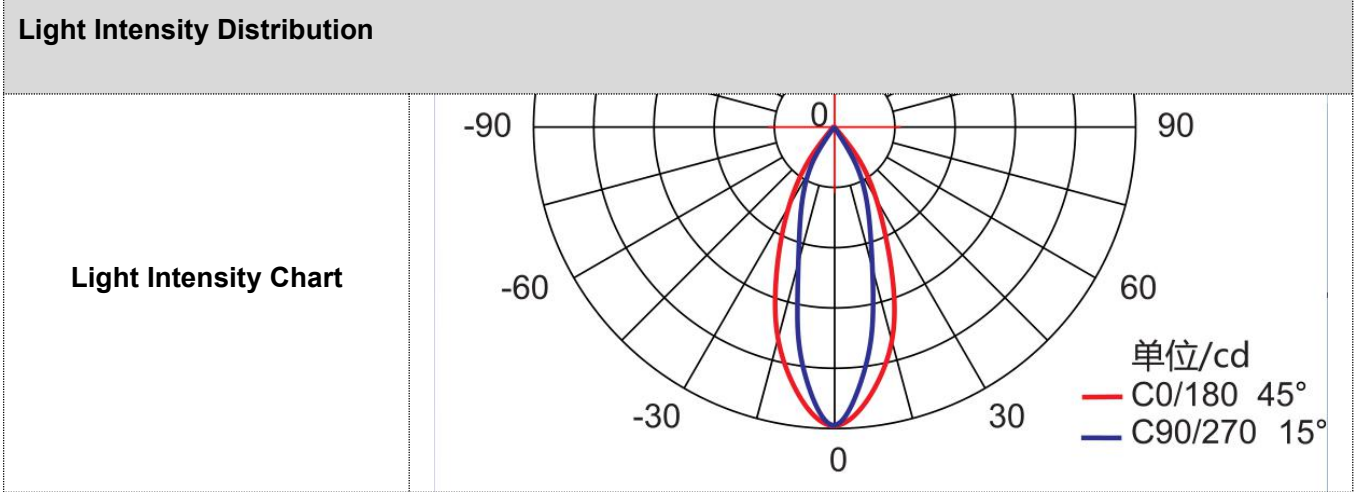
**Electrical Specifications**

Working Voltage	DC 24V
Max. Power Consumption	12W

Optical Specifications	
Light Intensity	Mixed White:360LM (data refers to full color light source(RGB))
Beam Angle	15*45°/30°

Controller	
Host Controller	EXC-4000、EXC-5000、EXC-6000、EXC-8000、EXC-10000、EXC-ELAN
Slave Controller	EXC-2900

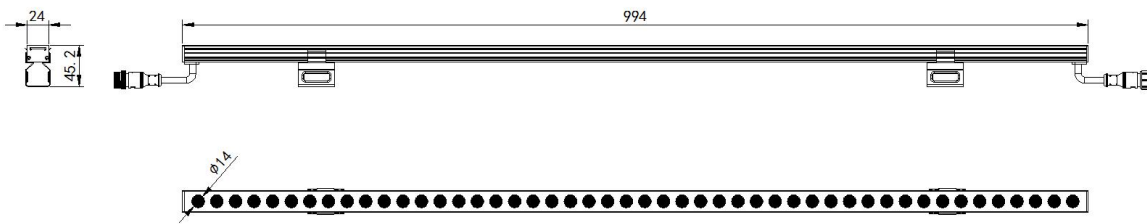
Data Interface	
Data Adapter	-
Signal Cable	EXC-LED outdoor special cable



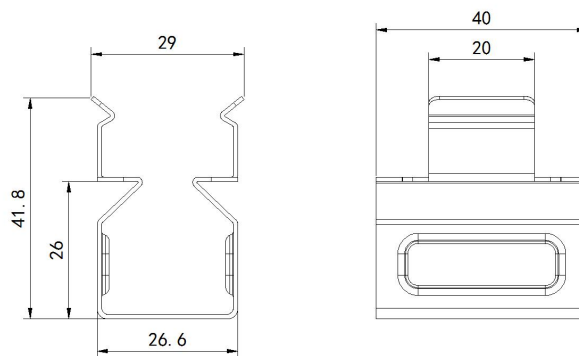
Order Info												
Series	Item No.	Light Source	Color	Control Method	Gray Scale	Seg ment	Fault Feed back	Material	Working voltage	Watta ge	Luminous Flux	Light Brand
Profes sion	EXC-W24 B-48 M-B0	48 pcs RGB LEDs	RGB	DMX	65536	8	No	Aluminiu m	DC24V	12W	360LM	CREE
	EXC-W24 B-48 M-B0	48 pcs RGB LEDs	RGB	DMX	4096	8	No	Aluminiu m	DC24V	12W	360LM	CREE
Standar d	EXC-W24 B-48 M-C0	48 pcs RGB LEDs	RGB	DMX	256	8	No	Aluminiu m	DC24V	12W	360LM	Taiwan Series
	EXC-W24 B-48 W-C1	48 pcs W LEDs	W	DMX	256	8	No	Aluminiu m	DC24V	12W	900LM	Taiwan Series
Econo mic	EXC-W24 B-48 W-D0	48 pcs W LEDs	W	On of	-	-	-	Aluminiu m	DC24V	12W	900LM	Taiwan Series

**Physical Dimension**

Unit: mm

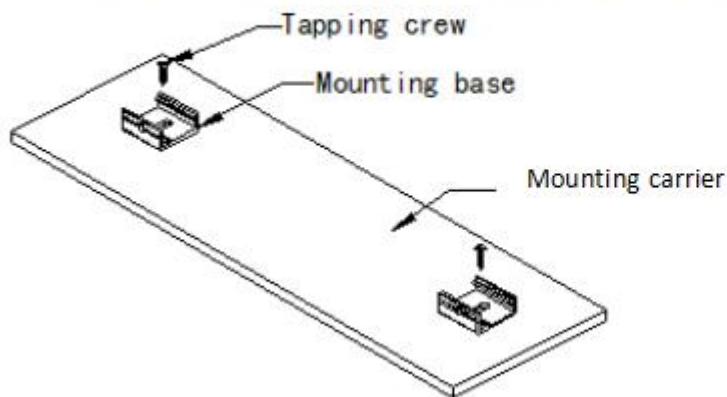


**Mounting Accessories 1:**

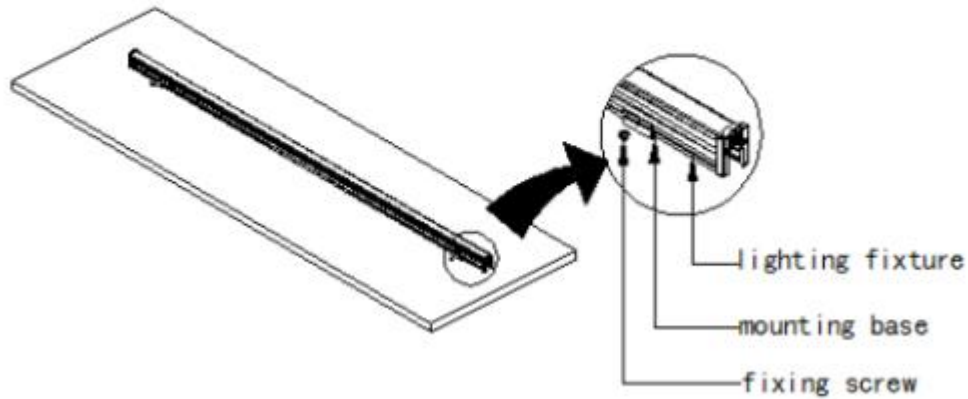


**Installation Diagram**

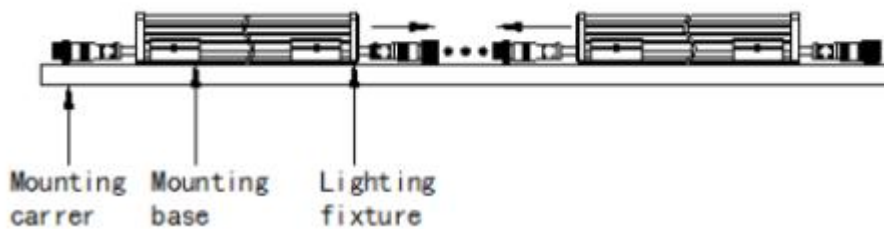
Step1: According to below picture, use ST4 tapping screw to fix elastic buckle on mounting carrier, distance according to lighting fixture length requirement.



Step2: Fix lighting fixture on mounting base, then use M4 screw fix mounting base and lighting fixture



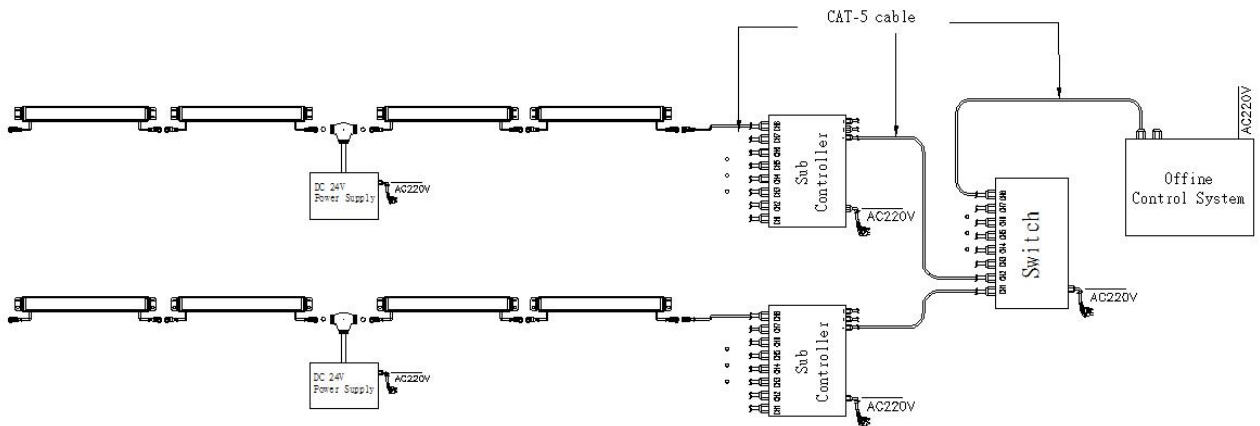
Step3: According to below picture, connect male and female connector



#### System connection diagram:

- 1、 Host controller should connect with slave controller. Working voltage for controllers are AC220V.
- 2、 On-line main controller should connect with slave controller, on-line main controller and sub controller working voltage are AC220V.
- 3、 each sub-controller with 8 ports, with each port 512 pixels, supporting data converter, supports 100 meters ultra-long haul transmission.
- 4、 The CAT-5 e. cable distance should be within 100 meters between host controller and slave controller, between slave controllers and switch, etc.
- 5、 the maximum spacing of not more than 5 meters, more than the need to add a signal amplifier.

**Offline Controlling System Diagram**



**Online Controlling System Diagram**

