

**EXC-P46AP LED Pixel Light**



Application Environment:  
Indoor  
Outdoor

**Description**

**EXC-P46AP full color series** are a full-color LED series string LED pixel light with extruded aluminum alloy housing, which are designed for outdoor landscape lighting by EXC-LED. Each EXC-P46AP pixel is a separate lighting pixel, and each pixel can realize 256 grades gray scale changing. They can be used for indoor and outdoor applications, Customized pixel pitch, and easy installation.

**Features**

- The newest generation technology: DMX512 parallel bus design
- Top-lever optical visual angel
- Close range anti glare design
- Clip on-off style connection and anti-pull connection without connector design
- High thermal conductivity transformer and full-sealed filling waterproof method by German imported glue
- Outdoor lighting protection and electrostatic discharge (ESD) protection design

**Basic Specifications**

Color Range	RGB full color +(W)3000K
Light Source	4pcs SMD3535(CREE) RGB LEDs+2pcs 3000K (OSRAM) LEDs
Source Life	50,000h
Material	Weather resistance, fire resistance, ABS (Black/ light gray color)/ PC lens
Weight	45g

**Environmental Specifications**

Working Temperature	-20°C to 50°C
Storage Temperature	-40°C to 70°C
Protection Rating	IP66

**Electrical Specifications**

Working Voltage	DC 15V
Max. Power Consumption	2W

## Optical Specifications

Central light intensity	0 °peak light intensity $\geq 33\text{cd}$ (data refers to full color light source)
Beam Angle	$\geq 120^\circ$

## Controller

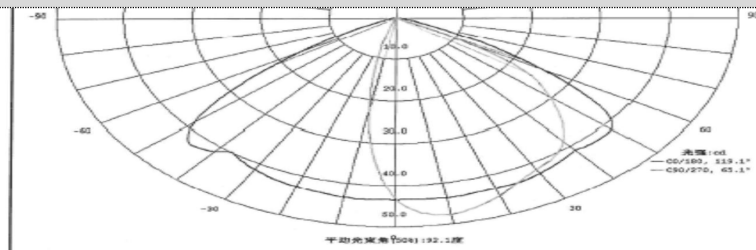
Host Controller	EXC-4000、EXC-5000、EXC-6000、EXC-8000、EXC-10000、EXC-ELAN
Slave Controller	EXC-2900

## Data Interface

Data Adapter	-
Signal Cable	EXC-LED outdoor special cable

## Light Intensity Distribution

Light Intensity Chart

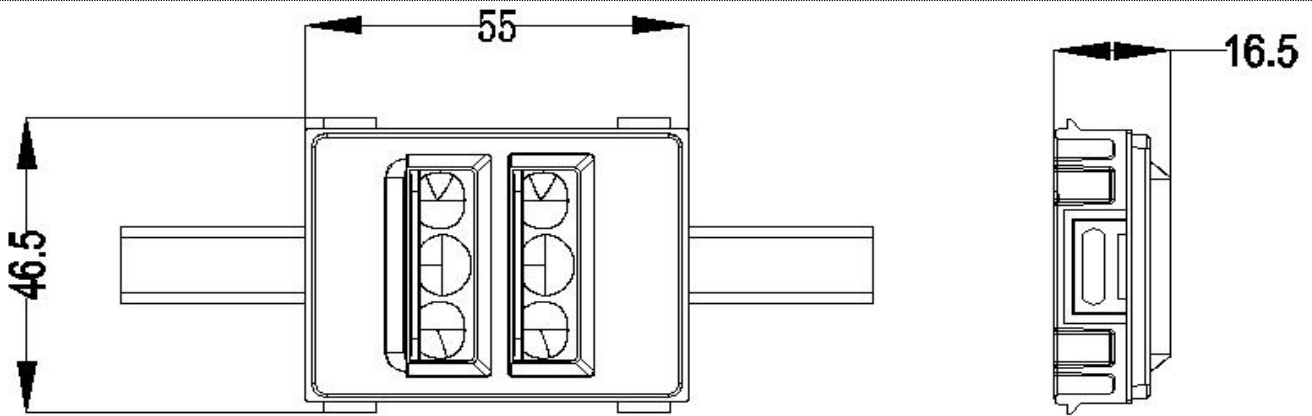


## Order Info

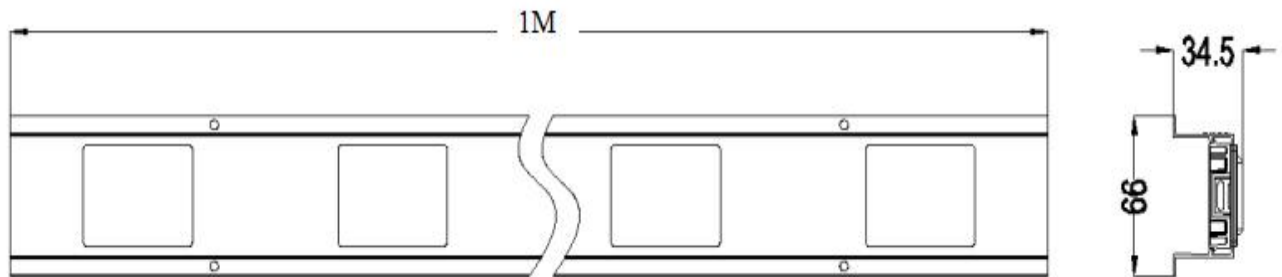
Series	Item No.	Light Source	Color	Control Method	Gray Scale	Visual Compensation	Material	Working voltage	Wattage	Central Light Intensity	Light Brand
Standard	EXC-P46A P-6F-C0	4 pcs SMD 3535RGB LEDs+2pcs W LEDs	RGB W	DMX	256	NO	Plastic	DC15V	2W	33cd	CREE OSRAM
	EXC-P46A P-6M-C0	6 pcs SMD 3535RGB LEDs	RGB	DMX	256	NO	Plastic	DC24V	1.5W	15cd	CREE

Physical Dimension

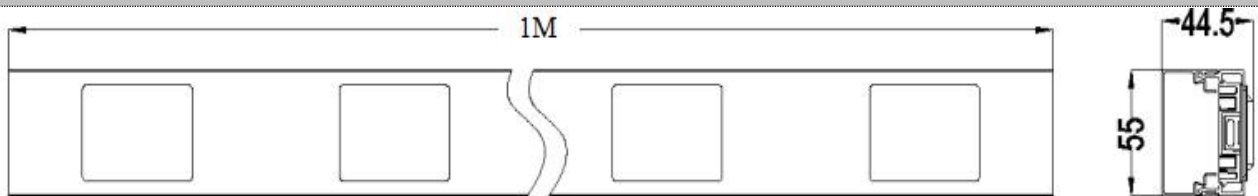
Unit: mm



1 Mounting Accessories :

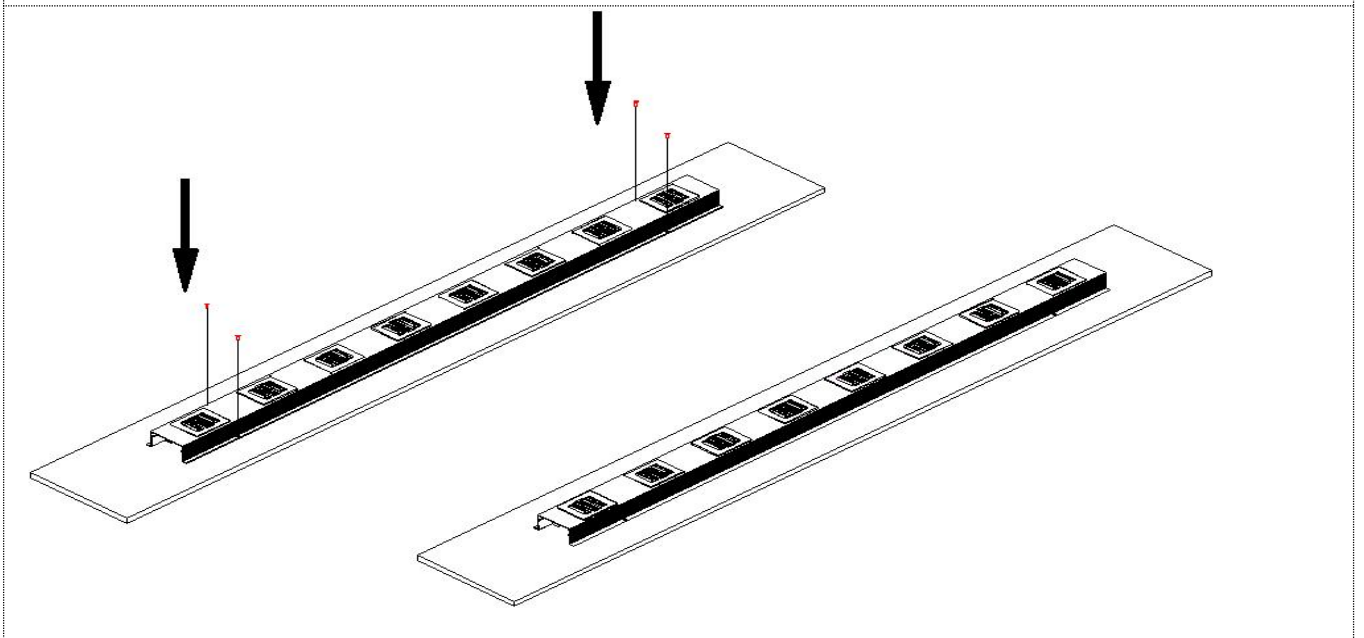
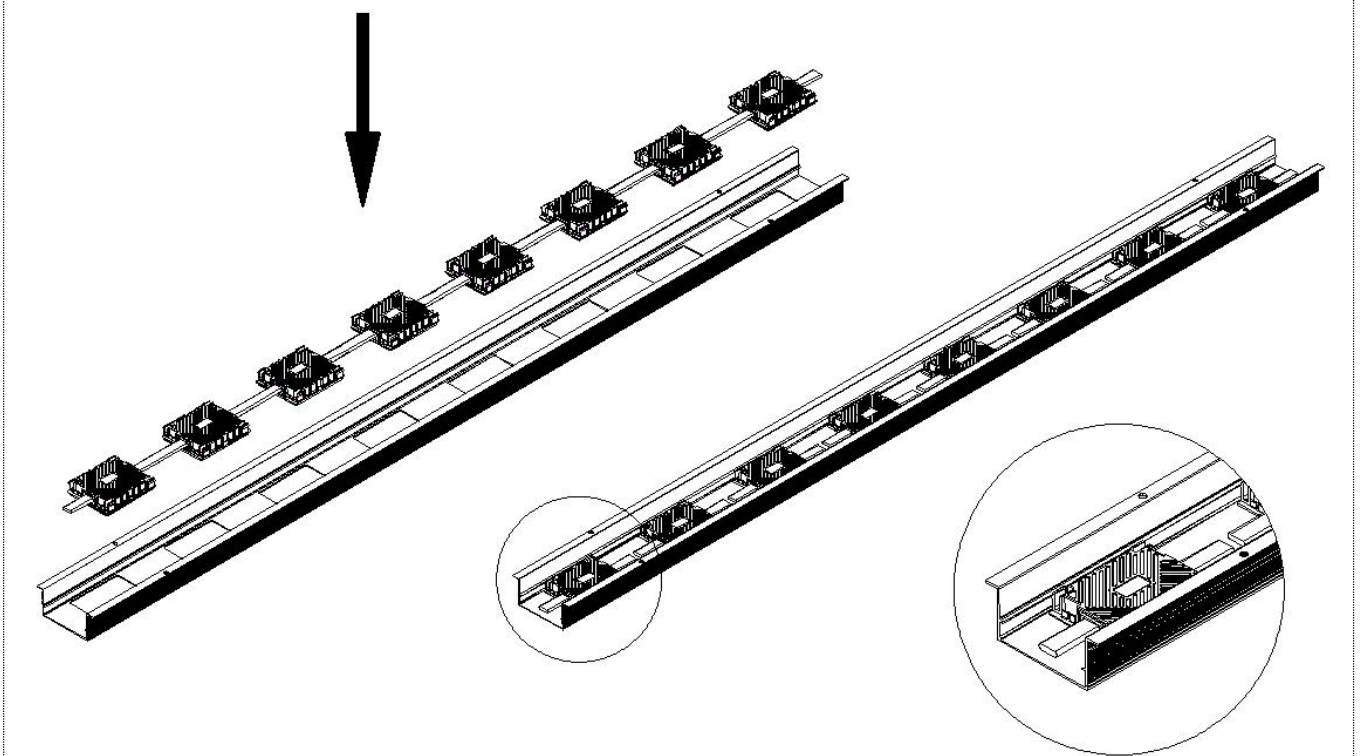


2 Mounting Accessories :

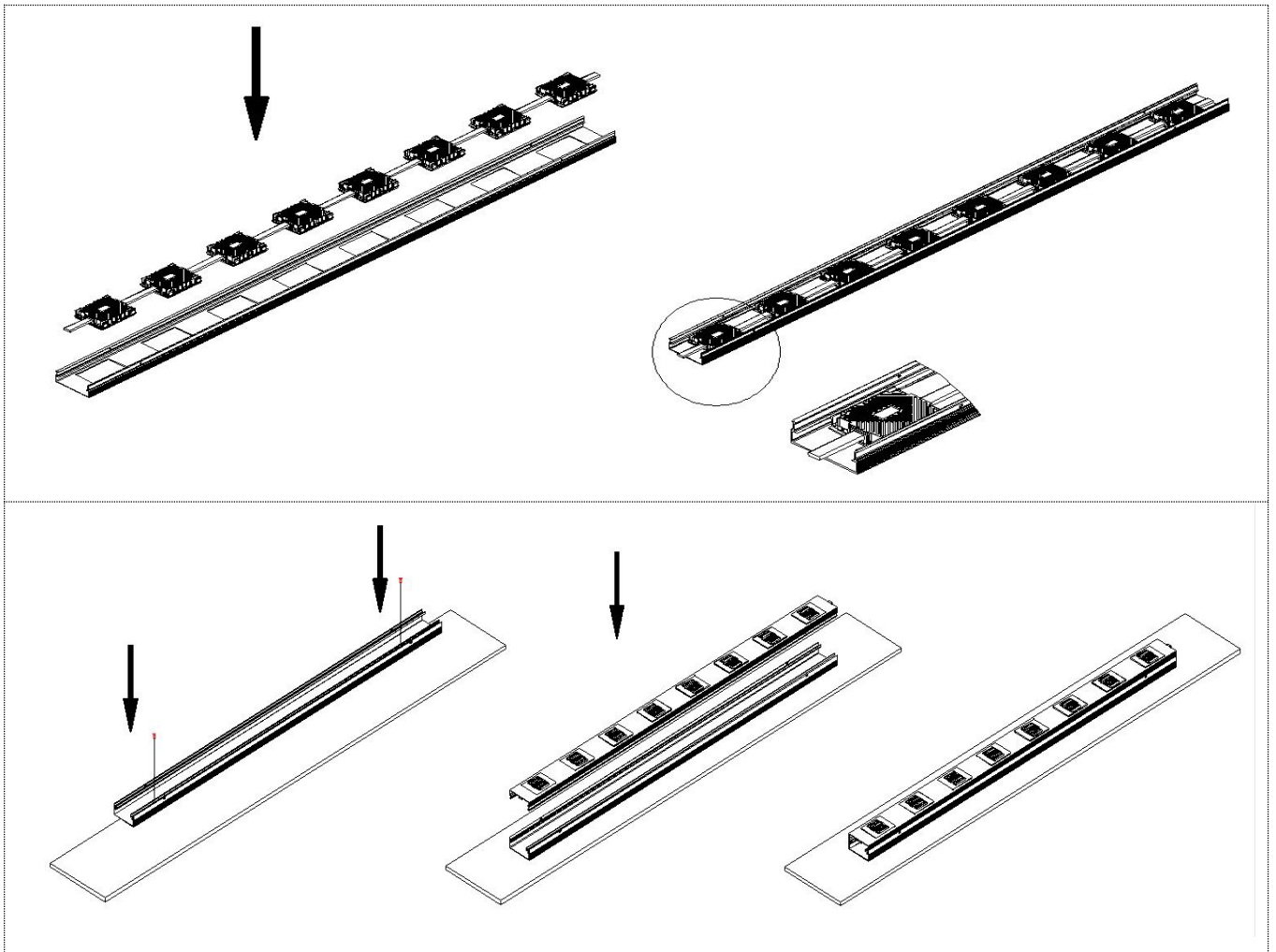


**Installation Diagram**

**Mount by aluminum profile**

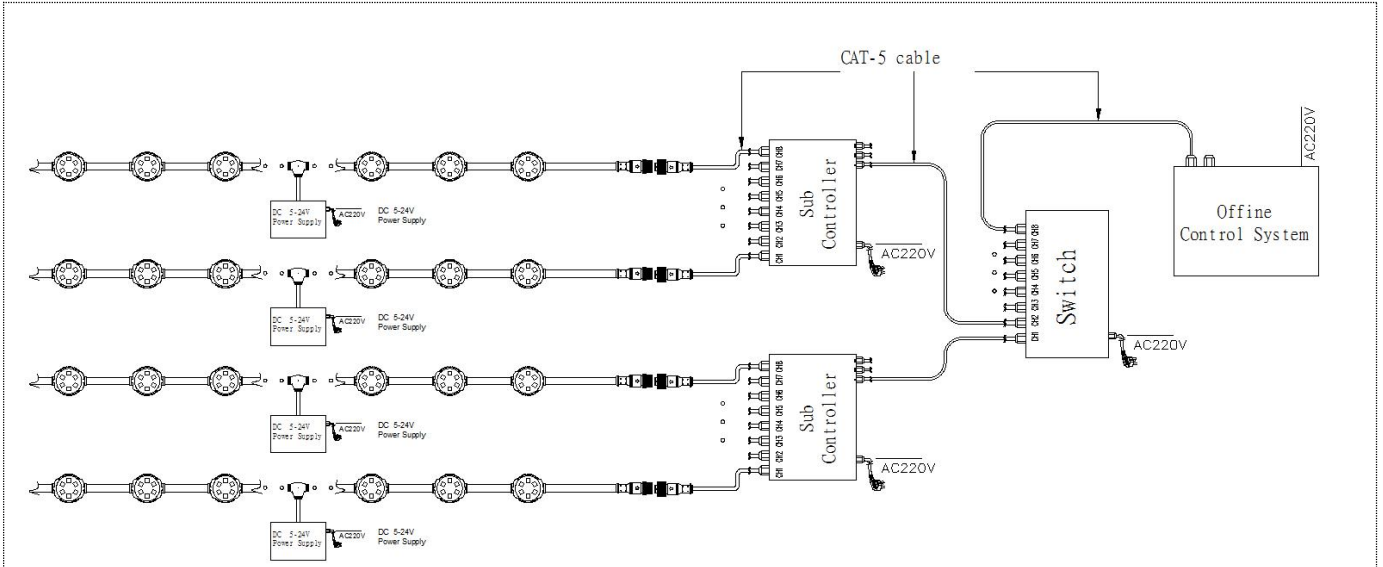


**Mount by aluminum profile**

**System connection diagram:**

- 1、 Host controller should connect with slave controller. Working voltage for controllers are AC220V.
- 2、 On-line main controller should connect with slave controller, on-line main controller and sub controller working voltage are AC220V.
- 3、 each sub-controller with 8 ports, with each port 512 pixels, supporting data converter, supports 100 meters ultra-long haul transmission.
- 4、 The CAT-5 e. cable distance should be within 100 meters between host controller and slave controller, between slave controllers and switch, etc.
- 5、 the maximum spacing of not more than 5 meters, more than the need to add a signal amplifier.

**Offline Controlling System Diagram**



**Online Controlling System Diagram**

